

VersiPave® GP

Adjustable
Paver Support



Applications

VersiPave® GP is used to support a wide range of concrete, natural stone and marble pavers on:

- Roofs
- Plaza decks
- Balconies
- Swimming pool surrounds
- Verandas
- Patios

Advantages

VersiPave® GP eliminate the use of bedding sand and cement screeds reducing dead loads on building structures.

VersiPave® GP ensure rapid drainage of surface water and avoid ponding even when the substrate has inadequate slope. Rainwater drains may be placed anywhere, as they are concealed. Pavers are easily removed, minimising disruption to building occupants when repairs to waterproofing membranes are necessary.

VersiPave® GP eliminate the need to use joint sealants. Expansion and contraction of the pavers can take place without unsightly surface cracks and the need for regular inspection and maintenance.

VersiPave® GP reduce efflorescence, algae build up and paving installation costs.

VersiPave® GP create an air space between the substrate and the paving slab improving thermal and acoustic insulation.

VersiPave® GP incorporate integrated chocks that cannot disengage and eliminate the possibility of public liability associated with dislodged pavers.



VersiPave® GP is a durable and lightweight pedestal support system made from 100% recycled plastics. **VersiPave® GP** allows the easy placement of pavers on roofs, plaza decks, balconies and other areas where well-drained and level surfaces are required. They eliminate the use of bedding sand or sand cement screeds.

VersiPave® GP consists of a circular base divided into quadrants. Each pedestal has four 24 mm high raised rectangular supports on which “snap in” movable chocks are positioned. The chocks may be adjusted in 1 mm increments to ensure the paved surface is level.

VersiPave® GP has a height range of 24 mm to 33 mm and is easily extended up to 153 mm using proprietary E10 and E30 **VersiPave®** Extenders.



VersiPave® GP supporting pavers

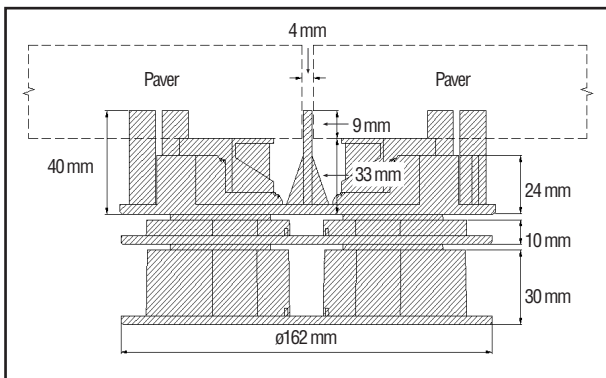
Properties

Material	Polypropylene	
Colour	Black (polypropylene) Clear (polycarbonate)	
Weight	VersiPave® GP + 4 chocks - 130 gm	
	10mm Extender - 80 gm	
	30mm Extender - 140 gm	
Height	VersiPave® GP	24 - 33 mm
	VersiPave® E10 Extender	10 mm
	VersiPave® E30 Extender	30 mm
Base Diameter	162 mm	
Marginal Adjustments	1.0 mm	
Spacer Height	40 mm	
Spacer Width	4 mm	

Compressive Strength

VersiPave® GP with Extenders up to 153 mm height have a compressive strength ≥ 2.0 tonnes

Biological resistance	Resistant to moulds and algae
Chemical Resistance	Resistant to oils, acids, alkalis and bitumen
Flammability	Non-flammable
Serviceable temperature	-20° C to 120° C



VersiPave® GP and VersiPave® Extenders can be sectioned for use along edges and corners

Installation Procedures

- Measure the total area to be paved to determine the number of pavers required. One **VersiPave® GP** is required for every paver.
- Use sight lines to mark the intersections of the corners of each paver to be laid.
- Where edges and corners are to be supported, break the **VersiPave® GP** and Extender units along the quadrant line.
- Place the pavers into place on each **VersiPave® GP** and simply adjust the chocks on the supports to ensure each paver is level.
- Commence paving by positioning the first paver in a corner and subsequent pavers along a wall edge.
- The height of each **VersiPave® GP** support is individually adjustable in increments of 1 mm from 24 mm up to 33 mm using movable chocks.
- If necessary pack up to the leveling line with **VersiPave® Extenders**

Note: The information provided in this brochure is based on current knowledge and experience and does not infer any legally binding assurance or warranty, expressed or implied. Intending purchasers should verify whether any changes to specifications or applications or otherwise have been made since this literature was issued. The products in this brochure are manufactured using specified recycled plastics under detailed quality control standards and procedures. Whilst **VersiPave® GP** is designed for its intended use, the design calculations shall be the responsibility of the Specifier and/or User.



Singapore: +65 6356 2800
Australia: +61 2 9648 2073
www.elmich.com

Distributed by:

Trisigma
Inti Solusi, pt.
 Landscape & Architectural Products

Gandaria 8 Office Tower, Suite 15B
 Jl. Sultan Iskandar Muda, Jakarta 12240
 Indonesia
 Tel. +62 21 2930 3699
 Fax. +62 21 2930 3728
 E-mail: info@trisigma.co.id
 Website: www.trisigma.co.id