

Creating Cities
Where Urban Meets Nature



VersiJack[®]

Paver & Bearer Support



Engineered in Australia

Our Innovation Is Your Solution

VersiJack[®] is a new generation pedestal engineered to provide a versatile and sustainable solution to support raised pavers and timber decking. It provides a cavity for services to be concealed, improves heat and sound insulation, facilitates rapid surface drainage whilst allowing waterproofing to remain accessible.



VersiJack®

VersiJack® is a new generation pedestal engineered to provide a versatile and sustainable solution to support raised pavers and timber decking. It provides a cavity for services to be concealed, improves heat and sound insulation, facilitates rapid surface drainage whilst allowing waterproofing to remain accessible.

About VersiJack®

VersiJack® is a height and slope-adjustable pedestal engineered by Elmich used to support paver or decking to reduce material, construction and lifecycle costs.

It caters to a wide range of height requirements, from 37mm - 1016mm, using only three main components parts (Top, Extender and Base).

Accessories includes top and bottom slope-correctors and bearer holders that ensure bearers remain firmly in place.

High Compressive Strength

VersiJack® has high ultimate compressive strength for various height combinations.

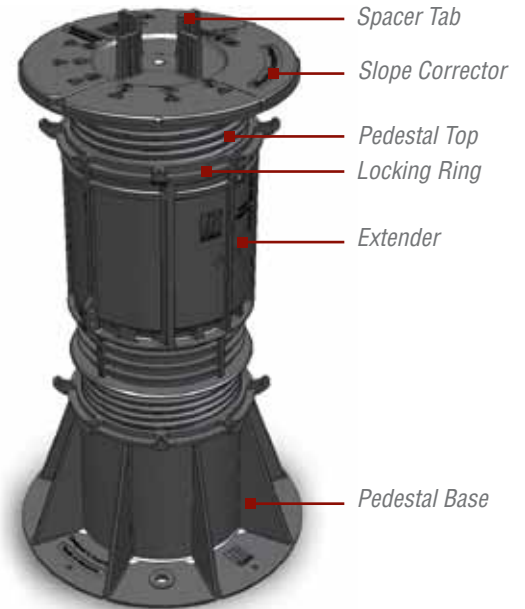
Supports Green Building Certification

VersiJack® is manufactured from recycled materials which meets RoHS requirements.

Advantages

- Easy to install and lightweight
- Progressive height increments
- Top and/or bottom slope correction

- Supports Green Building certification
- Made from recycled material
- Easily removed and reused



VersiJack® provide stable support for installation of decking

Construction Benefits

VersiJack® provides a quick to install alternative to on-site fabricated concrete or metal piers.

It allows convenient progressive height adjustment or correction for fall. Desired height is secured with the integrated Locking Ring.

The large flat base and rounded edges does not penetrate and compromise waterproofing membranes. The design prevents water ponding and breeding of pests.

Unique VersiJack® Turning Tool connected to a power drill permits height adjustments with minimum effort.



VersiJack® allows easy accessibility for servicing when required.

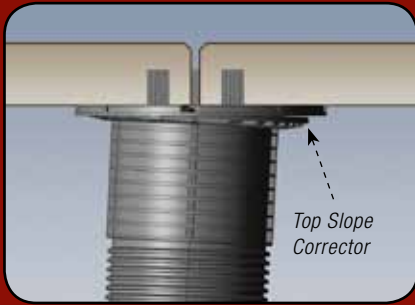


Turning Tool greatly reduces the time needed for height adjustments.

Distinctive Features

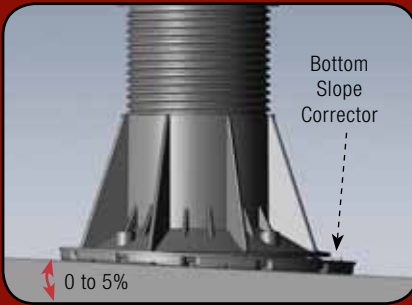
Top Slope Corrector

Top Slope Corrector provides for slope compensation up to 5%, keeping pavers level on a sloping surface.



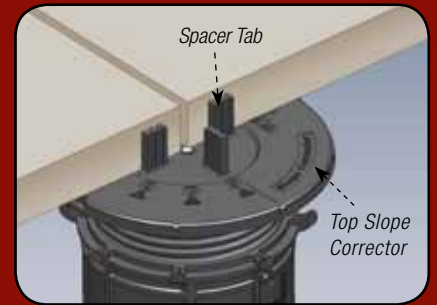
Bottom Slope Corrector

Bottom Slope Corrector by itself allows pedestal to remain firmly upright on incline of up to 5%.



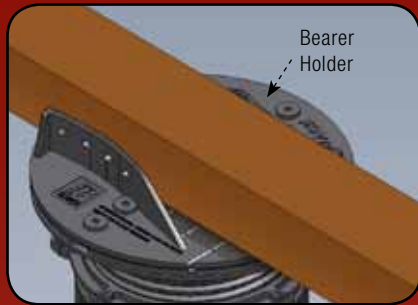
Spacer Tab

Spacer Tabs of various thicknesses from 2mm to 10mm cater for different gap sizes between pavers.



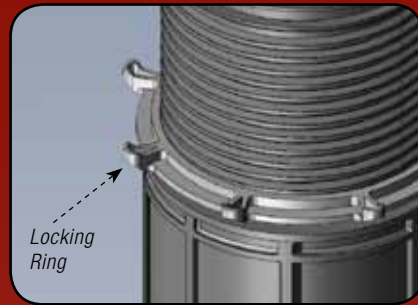
Bearer Holder

Bearer Holder accommodates bearer widths of 50mm to 85mm and keeps it firmly in place.



Locking Ring

Locking Rings ensure pedestals are secured at desired heights and are easily removed when not required.



Non-Water Retention

Pedestal design prevents water ponding and breeding of pests even on an incline.



VersiJack® has international design registrations and patents pending.

Projects



